

CUTTING



MOUNTING



POLISHING



HARDNESS TESTING



POLY'VAC

VACUUM IMPREGNATION SYSTEM



Vacuum impregnation system for optimal degassing and sample impregnation with casting resins.



A STRONG WORLDWIDE PRESENCE THROUGH SUBSIDIARIES AND MORE THAN 35 DISTRIBUTORS



FUNCTIONALITIES

REF. 53600

Height with cover
340mm

External diameter
340mm

Internal diameter
250mm

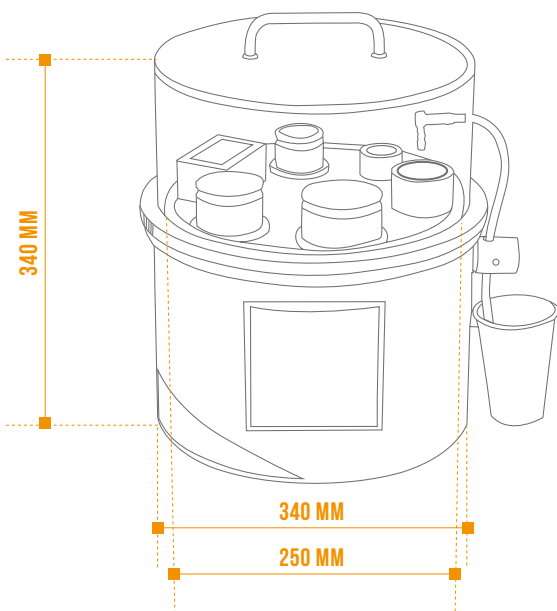
Weight
10kg

Poly'Vac kit includes:
50 protection sheets
50 pipes
50 plastic nozzles

Conformity
EC

Vacuum mounting system

It provides for improved resin impregnation of porous materials and for improved removal of trapped air bubbles in the resin mount. It is best used with MA2+ and IP resins. The device is programmable and controlled through a touch screen with options for setting cycle time (timer from one minute to several hours) and various levels of vacuum. It includes a resin dispenser.



With an intuitive easy to use menu via the colour touch control screen, Poly'Vac is simple to set up and use with all main functions readily accessible. Real time display of cycle time and vacuum level. Memorisation of user defined programmes. Programmable pressure and time cycles.

FUNCTIONING

PRECISE

The vacuum level is fully controlled and programmable allowing user defined degassing and impregnation cycles to be set.

ERGONOMIC

The ergonomic design of Poly'Vac provides the vacuum pump, casting chamber, turntable and resin cup older in a single compact unit.

INNOVATIVE

Innovation in cold mounting, Poly'Vac vacuum impregnation provides optimal degassing of the resin and penetration of porous or friable samples for improved stability.



CHARACTERISTICS

Vacuum level	Up to - 90 Kpa
Power supply	220 V monophased 50/60 Hz - 110 V on request
Conformity	EC

ACCESSORIES

Accessories for cold mounting

04111

Set of 100 holding blue clips (plastic)

04900

Set of 100 polypropylene plastic cups

04024

Box of 5 graduated measuring cups (250 cc) with stirring sticks

04112

Set of 100 holding (multi-colour) clips

Rubber silicone mounting moulds

04021

Silicone Rubber Ø 25mm

04022

Silicone Rubber Ø 30mm

04023

Silicone Rubber Ø 40mm

04025

Rectangular 55 x 30 x 25mm

04026

Rectangular 70 x 40 x 25mm

04027

Rectangular 100 x 50 x 25mm

Polyethylene mounting moulds

04028

Polyethylene Ø 25mm

04029

Polyethylene Ø 30mm

04030

Polyethylene Ø 40mm

Teflon (PTFE) mounting moulds

04016

Teflon (PTFE) Ø 20mm

04017

Teflon (PTFE) Ø 25mm

04036

Teflon (PTFE) Ø 25.4mm

04018

Teflon (PTFE) Ø 30mm

04037

Teflon (PTFE) Ø 31.7mm

04038

Teflon (PTFE) Ø 38.1mm

04019

Teflon (PTFE) Ø 40mm

04020

Teflon (PTFE) Ø 50mm

KM mounting moulds

04048

Kit 50 KM rings + 5 bases ø 25mm

04049

Kit 50 KM rings + 5 bases ø 30mm

04050

Kit 50 KM rings + 5 bases ø 40mm

KM moulds reloads

04045

50 rings* ø 25mm

04046

50 rings* ø 30mm

04047

50 rings* ø 40mm

* For use with KM mould bases

Additional accessories

53605

50 protection sheets

53606

Pipes and plastic nozzles (set of 50)



REF. 04111



REF. 04900



REF. 04024



REF. 04112



REF. 04022



REF. 04029



REF. 04018



MOULE KM

CONSUMABLES

● IP EPOXY RESINS

REF.	DESIGNATION	USE	CHARACTERISTICS
04200	Pack 1 kg powder + 100 cc catalyst delivered with 10 plastic cups, 10 stirring sticks and 10 dosing syringes.	Porous materials (e.g. ceramics), observation of edges and coatings, electronic components etc	Polymerisation time: 8 at 10h (3h at 50°C) Shrinkage: very low Exothermic peak: 30° C Hardness: 83 shore D Impregnation ability: very good Proportion: 10% catalyst
04201	Bottle 100 cc catalyst		
04202	Bottle 1 kg resin		

● MA2+ EPOXY RESINS

REF.	DESIGNATION	USE	CHARACTERISTICS
04040	Pack 1 kg powder + 100 cc catalyst delivered with 10 plastic cups, 10 stirring sticks and 10 dosing syringes.	Observation of edges, temperature sensitive materials, polymers, visual control of material removal	Polymerisation time: 12h Shrinkage: very low Exothermic peak: 30° C Hardness: 62 shore D Proportion: 10% catalyst
04009	Bottle 100 cc catalyst		
04041	Bottle 1 kg resin		



PRESI IS ALSO...

CUTTING



Mecatome ST 310

MOUNTING



Mecapress 3

POLISHING



Mecatech 334

HARDNESS TESTING



Microtech MX1

CONSUMABLES



Resins



FIND OUT MORE AT
WWW.PRESI.COM

