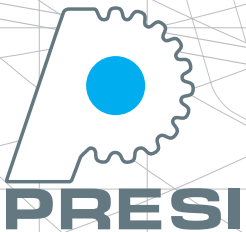
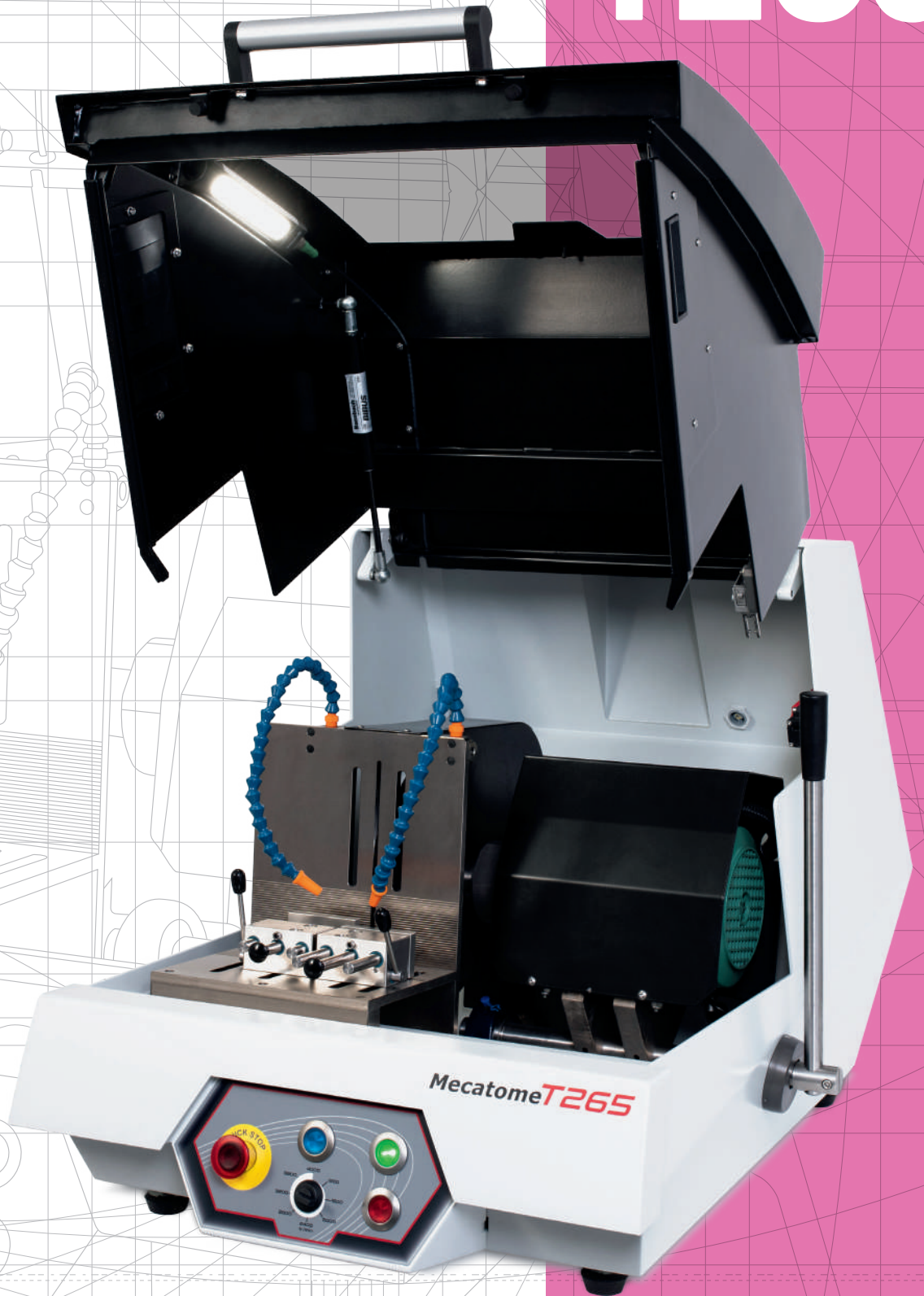


MECATOME T265



CUTTING

MECATOME T265
Ref. 51270

MECATOME T265

SIMPLE AND ROBUST MANUAL CUTTING MACHINE

Robust, the MECATOME T265 accepts cutting discs of Ø250 & Ø300mm. Its rotation speeds ranged from 1300 to 4000 RPM allow the use of metallic blades as resinoids. Its L-shaped table allows quick clamping of parts either horizontally or vertically.

Robustness

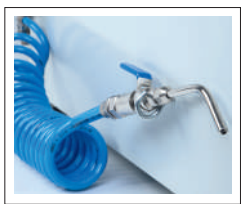
- Mechanically welded steel cover and PETG protective glass
- Stainless steel cutting chamber
- Epoxy paint

Working comfort

- Blocking of the shaft for wheel change
- Tool-less cut-off wheel change (option)
- Light integrated into the hood
 - Anti-glare
 - Optimal lighting of the working area
- L-shaped clamping table



- Guided evacuation system for residual drops
- Cleaning gun



Lubrication close to the cut area

- 2 lubrication points

Stability

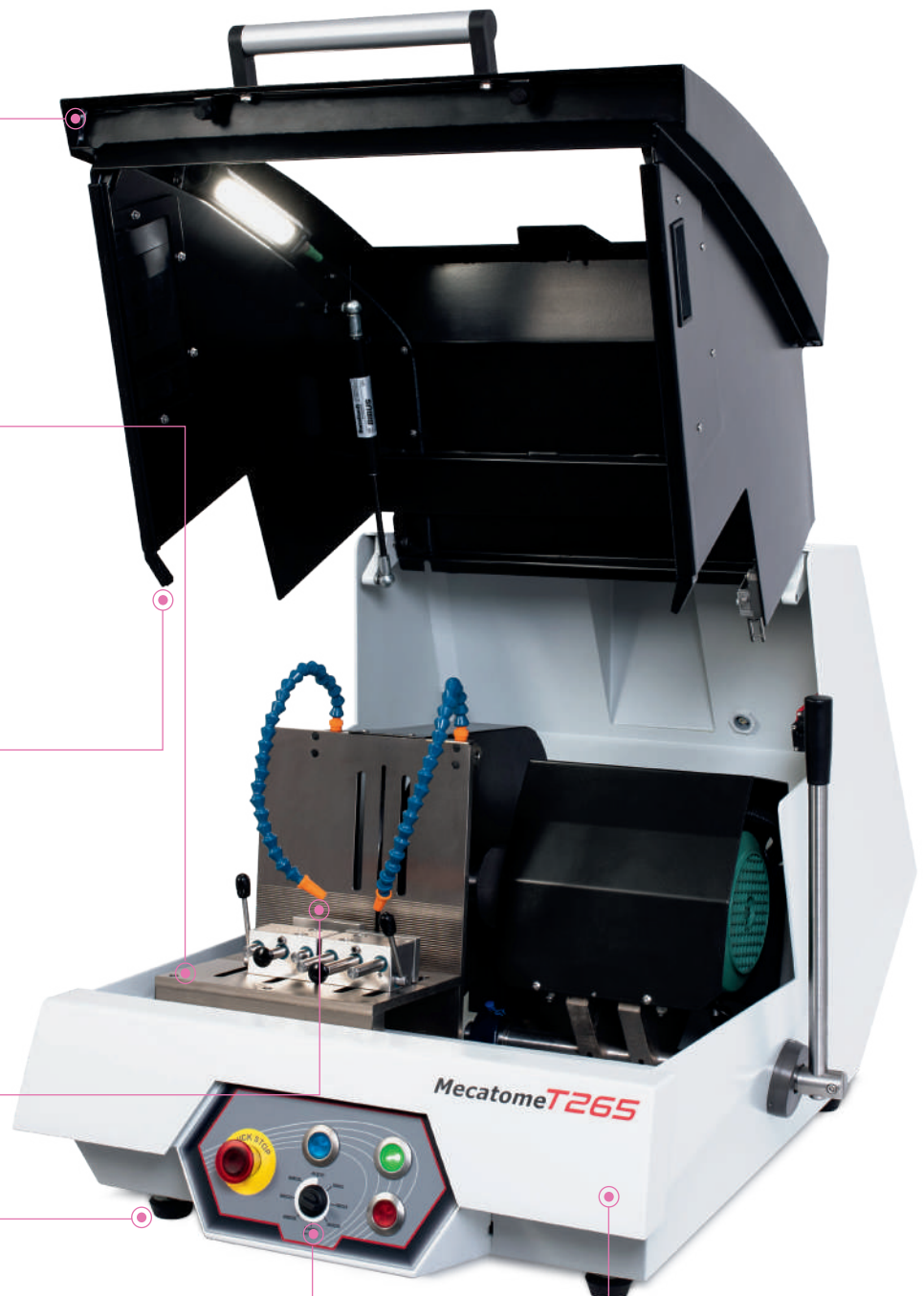
- Adjustable, anti-vibration feet

Controls & safety

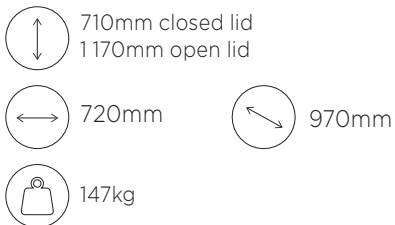
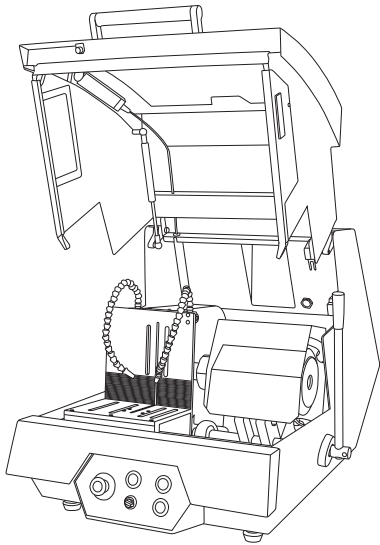
- Control panel
- 8 pre-set rotation speeds
- Braked stopping of the cut-off wheel
- Mechanical locking of the hood during operation
- Zero speed control before unlocking
- Emergency stop button
- CE marking

25L recirculating tank

- Double filtration system: mechanical & magnetic (optional)

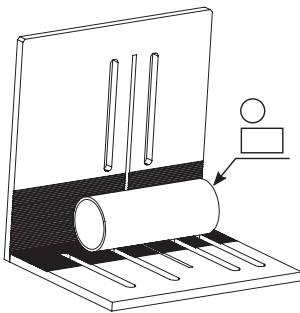


MECATOME T265



CUTTING ENVELOPE*

- = Ø95mm (cut-off wheel Ø300mm)
- = 120 x 60mm
150 x 25mm



* This illustration of the cutting envelope is to show the maximum theoretical capacity only. The actual capacity may be increased, depending on sample material, cutting frequency and selected flanges.

CHARACTERISTICS MECATOME T265

HOOD

Type	Metal Frame & PETG Stainless steel cutting chamber
Safety	Mechanical locking of the hood during cutting Braked stopping of the cut-off wheel Zero speed check before unlocking the hood
Fumes extraction	Option: mist extraction with fluid recovery

MOTORISATION - POWER SUPPLY

Nominal power S1	2200W
Nominal power S2	2700W
Nominal power S3	3200W
Motor	Asynchronous motor controlled by frequency inverter
Power supply	400V - Three-phase - 50/60Hz

CUT-OFF WHEEL

Kind of the cut-off wheel	Resinoid & Metallic
Size of the cut-off wheel	from Ø250 à Ø300mm
Rotation speed	1300, 1600, 2000, 2400, 2800, 3200, 3800 & 4000 RPM
Arbor size	25,4mm

CONTROL

Control interface	Control Panel
-------------------	---------------

CUTTING

Operating mode	Manual
Table type	Treated Steel L-shaped table - 240mm wide
Holders	Vices in horizontal or vertical position

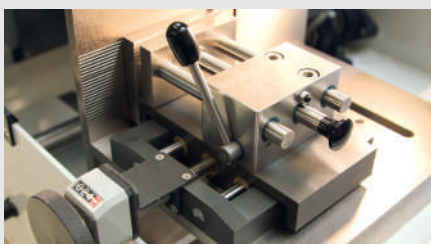
LUBRICATION - COOLING

Type of lubrication	By pump, flow rate 70L/min
Recirculation tank	External - Capacity 25L
Type of filtration	Washable 100µm cloth filter, optional magnetic filter
Method of directing pumped coolant	2 adjustable lubrication points

ERGONOMICS

Internal lighting	LED lighting integrated into the hood (IP 68)
Spray nozzle for cleaning	Integrated
Cutting disc change	Shaft lock for wheel change Tool-less cut-off wheel changing system
No-load sound level	< 70 dB

OPTIONS



TRANSVERSAL TABLE

Manual movement along the X axis
Ref. 51212



QUICK-RELEASE NUT

Tool-less cut-off wheel change
Ref. 51272



MAGNETIC FILTER

For 25L tank
Ref. 51271



SUCTION & EXTRACTION

Mist extraction with fluid recovery
Ref. 51273

ACCESSORIES

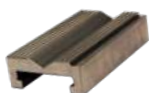
STAINLESS STEEL VICES & CLAMPING SYSTEM



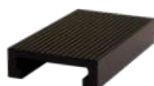
Left quick clamping vice
Ref. 51280
Right quick clamping vice
Ref. 51281



Kopal clamp
Ref. 50616
Kopal kit
Ref. 50613



Stainless steel v-type moving jaw for clamping vice 45mm height
Ref. 51282



Special fragile samples «delrin» thermoplastic moving jaw for clamping vice 45mm height
Ref. 51283

OTHER ACCESSORIES



Analogical refractometer BRIX 0-10
Measure the concentration of the anti-rust coolant
Ref. 19074



Base cabinet for manual cutting machine (small model)
Ref. 51275

CONSUMABLES

RESINOID CUT-OFF WHEELS

	REF.	ABRASIVE	Ø
Ferrous materials			
S	01016	Al ₂ O ₃	Ø 250 x 1,6 x 32mm
	01022	Al ₂ O ₃	Ø 300 x 2 x 32mm
AO	01014	Al ₂ O ₃	Ø 250 x 1,6 x 32mm
	01020	Al ₂ O ₃	Ø 300 x 2 x 32mm
A	01015	Al ₂ O ₃	Ø 250 x 1,6 x 32mm
	01021	Al ₂ O ₃	Ø 300 x 2 x 32mm
AOF II	01012*	Al ₂ O ₃	Ø 250 x 0,8 x 32mm
	01013	Al ₂ O ₃	Ø 250 x 0,8 x 32mm
	01019	Al ₂ O ₃	Ø 300 x 1 x 32mm
Non-ferrous materials			
MNF	01017	SiC	Ø 250 x 1,6 x 32mm
	01023	SiC	Ø 300 x 2 x 32mm
T	01071	SiC	Ø 250 x 1,6 x 32mm
	01072	SiC	Ø 300 x 2 x 32mm
F	01018	SiC	Ø 250 x 1,6 x 32mm
	01024	SiC	Ø 300 x 2 x 32mm

* Cut-off wheel "S".

METALLIC CUT-OFF WHEELS

	REF.	Ø
Hard ferrous materials		
CBN	02043	Ø 250 x 1,2 x 32mm
	02047	Ø 300 x 1,2 x 32mm
Ceramic & non-ferrous materials		
DIAMOND LR	02045	Ø 250 x 1,2 x 32mm
	02049	Ø 300 x 1,2 x 32mm
DIAMOND LM	02042	Ø 250 x 1,2 x 32mm
	02046	Ø 300 x 1,4 x 32mm
DIAMOND LM+	02044	Ø 250 x 1,2 x 32mm
	02048	Ø 300 x 1,4 x 32mm
Composit & plastic materials		
DIAMOND ELD	02105	Ø 250 x 1,8 x 25,4mm
	02106	Ø 300 x 1,8 x 25,4mm

REDUCTION RINGS*

REF.	DESIGNATION	Ø
Pack of 20		
01089	Reduction ring	32/25,4 mm x 2mm
01092	Reduction ring	32/25,4 mm x 3mm

* Other diameters on request.

ANTIRUST COOLANT

REF.	DESIGNATION
01025	1L bottle
01090	5L drum
01026	10L drum

ANTIFOAM AGENT

REF.	DESIGNATION
01094	1L bottle
01095	5L drum
01096	10L drum

ANTISEPTIC LIQUID

REF.	DESIGNATION
01093	500CC bottle
01097	1L bottle
01098	5L drum