

# CUTTING

## MECATOME T335



### MANUAL AND AUTOMATIC CUTTING MACHINE

#### REF. 50380

Powerful and precise, the MECATOME T335 is an automatic cutting machine on its longitudinal axis and manual on its vertical axis. Its rotation speeds ranging from 1000 to 6000 RPM allow the use of diamond discs as well as resinoids. The MECATOME T335 offers the best of both worlds with the possibility of performing regulated or impulse cuts while maintaining the ease of manual cutting.



↑ 680mm hood closed  
11180 mm hood open

↔ 1025mm

↙ 954mm

📦 210kg



Check the technical specifications  
of the MECATOME T335



Cleaning Gun

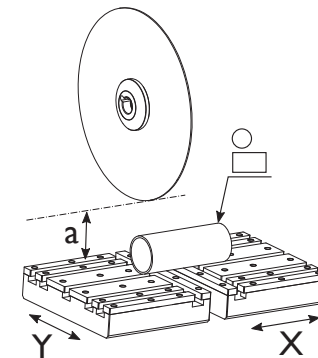


Transversal table with  
motorized movement  
Ref. 50381



Two-hand control

#### CUTTING CAPACITY\*



Y 240mm

X Optional: 100mm

a

○ ∅ 105mm

□ 105 x 145mm

80mm  
(cut-off wheel  
∅ 300mm)

\* This cutting diagram has been designed for informational purposes. It represents the theoretical maximum cutting capacity. The described cutting capacities can be increased depending on the materials, the cutting frequency and selected flanges.

## CHARACTERISTICS

### HOOD

Type	Metal Frame & PETG Stainless steel cutting chamber
Safety	Two-hand control for table positioning, when hood open Mechanical locking of the hood during cutting Braked stopping of the cut-off wheel Zero speed check before unlocking the hood
Fumes extraction	Option: mist extraction with fluid recovery

### MOTORISATION - POWER SUPPLY

Nominal power S2	3700W
Nominal power S3	4000W
Motor	Asynchronous motor controlled by frequency inverter
Power supply	400V - Three-phase - 50/60Hz

### CUT-OFF WHEEL

Type of cut-off wheel	Resinoid & Metallic
Size of the cut-off wheel	from Ø 250 à Ø 300mm
Rotation speed	1000 à 6000 RPM
Arbor size	25.4mm

### CONTROL

Control interface	Touchscreen 2-dimensional joystick with 2 shortcut buttons
Security access	Can be activated
Programmability	Up to 100 programs, password protected

### CUTTING

Operating mode	Manual, Assisted, Automatic, Program Mode
Cutting modes	Regulated, Pulse Cutting
Table automation	Y-axis movement
Cutting control	Feeding Regulation
Cutting axis	Motorized Y-axis and Manual Z-axis (The X axis being a positioning axis)
Y axis travel	240mm
Y axis speed	from 0.01 to 3mm/s
Z axis travel	60mm
Z axis speed	from 0.01 to 3mm/s
Serial cutting	Option: motorized x-axis table, travel distance 100mm
Table dimensions	Left table: 192 x 230mm Right table: 192 x 230mm
Distance between cut-off wheel and table	77.5mm (with Ø 300mm cut-off wheel)
Positioning laser	Option: Laser Class 1M; Po = 1mW; I = 635nm
Table type	Treated aluminum table, interchangeable stainless steel pallets
Holder	T-slotted table (12mm) accepting all commercial clamping systems

### LUBRICATION - COOLING

Type of lubrication	By pump, flow rate 70L/min
Recirculation tank	External - Capacity 55L
Type of filtration	Washable 100µm cloth filter, optional magnetic filter
Method of directing pumped coolant	2 lubrication points integrated in cut-off wheel guard 2 orientable lubrication points

### ERGONOMICS

Internal lighting	LED lighting integrated into the hood (IP 68)
Spray nozzle for cleaning	Integrated
Cutting disc change	Tool-less cut-off wheel changing system
No-load sound level	< 70 dB

## ACCESSORIES

### STAINLESS STEEL VICE & CLAMPING SYSTEMS



Left quick clamping vice  
45mm height removable  
jaw + rear jaw  
Ref. 50236



Right quick clamping vice  
45mm height removable  
jaw + rear jaw  
Ref. 50235

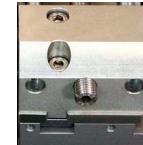


Left quick clamping vice  
45mm removable jaw  
+ rear jaw  
Ref. 50241

Right quick clamping vice  
45mm removable jaw  
+ rear jaw  
Ref. 50240



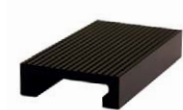
Left quick clamping vice  
45mm height removable  
jaw + rear jaw  
Ref. 50246



Right quick clamping vice  
45mm height removable  
jaw + rear jaw  
Ref. 50245



Stainless steel V-type  
moving jaw for clamping  
vice 45mm height  
Ref. 51282



Special fragile samples "Delrin"  
thermoplastic moving jaw  
for clamping vice 45mm  
Ref. 51283

Stainless steel V-type  
moving jaw for clamping  
vice 45mm height  
Ref. 50243

Special fragile samples "Delrin"  
thermoplastic moving jaw  
for clamping vice 70mm  
Ref. 50242



Kopal Clamp  
Ref. 50616

Kopal Kit  
Ref. 50613

### TABLES & POSITIONING



Motorized transversal  
table  
Ref. 50381



Manual transversal table  
Ref. 50244



Kit of V positioning  
supports  
Ref. 50370

### OTHER ACCESSORIES



Base cabinet for automatic  
cutting machine  
Ref. 51470



Base cabinet (big size)  
Ref. 51010



Magnetic filter  
Ref. 50222



Suction & extraction  
Ref. 51273



Positioning laser for  
MECATOME T335  
Ref. 50382



3 Filters for cooling tank  
Ref. 51620



Analogical refractometer  
Brix 0-10  
Ref. 19074